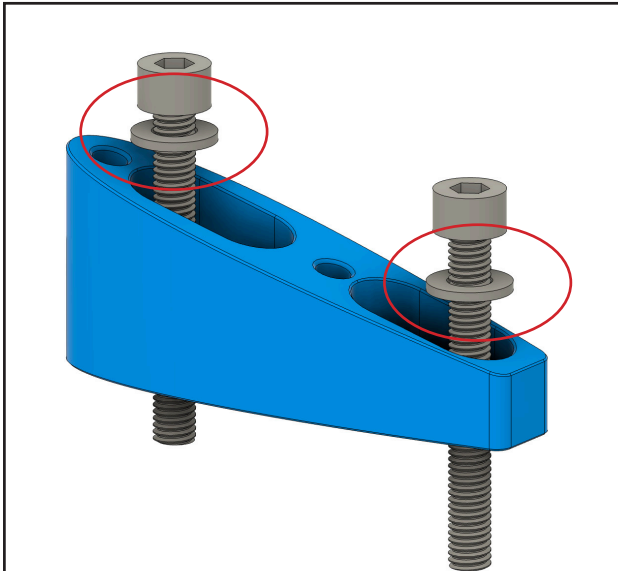




## Gen1 Angled Shims Mounting Information.

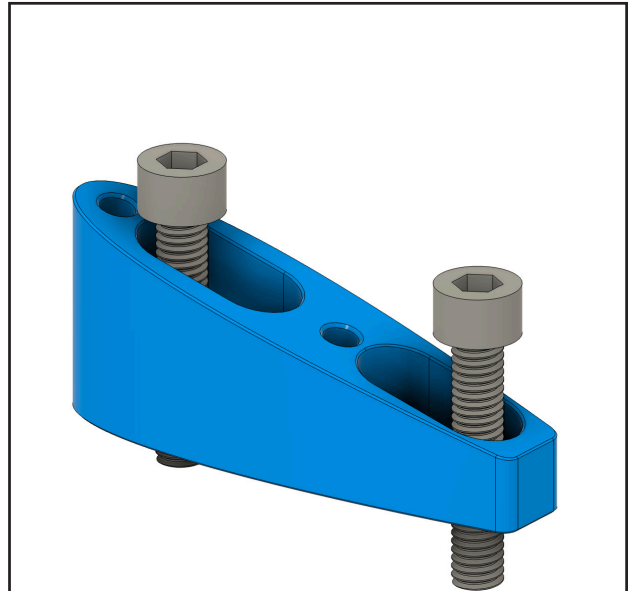
### M5 Systems



Bolting down through your own risers or basebar.

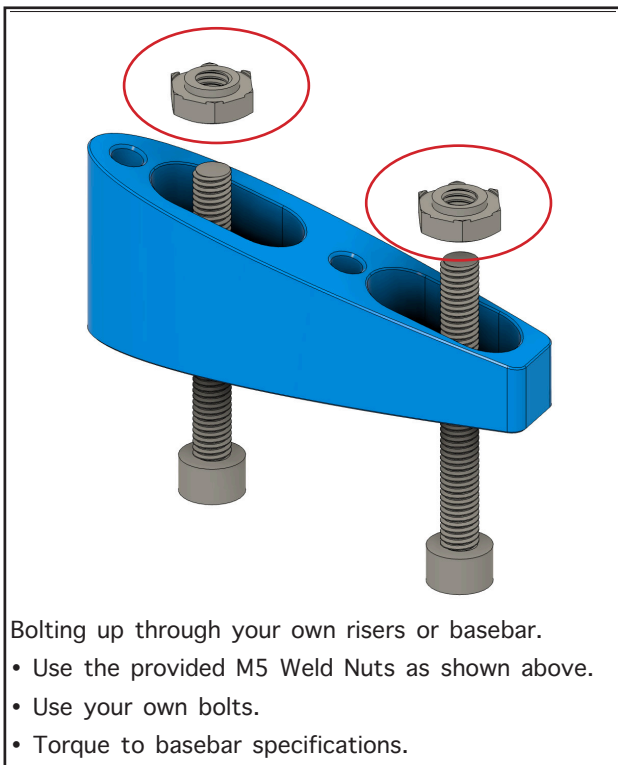
- Use your own bolts.
- Use the provided M5 washers as shown above.
- Torque to basebar specifications

### M6 Systems



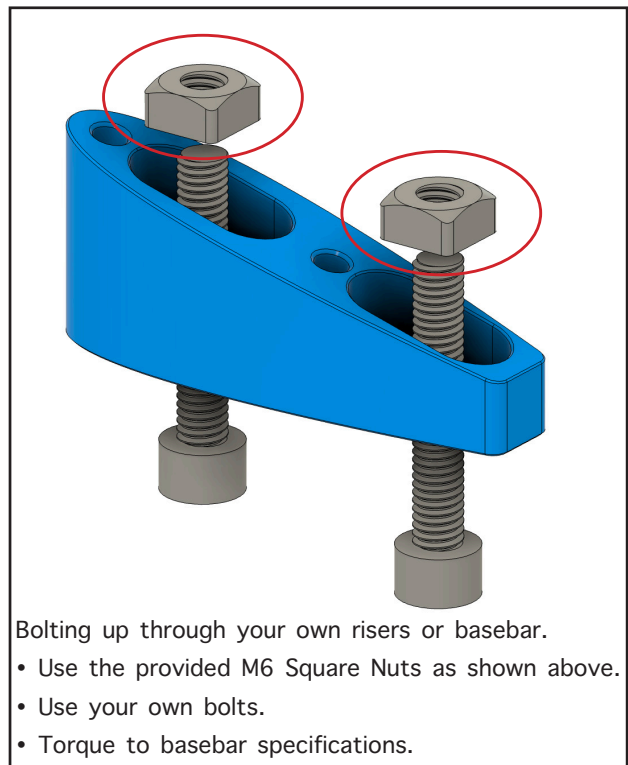
Bolting down through your own risers or basebar.

- Use your own bolts.
- Torque to basebar specifications



Bolting up through your own risers or basebar.

- Use the provided M5 Weld Nuts as shown above.
- Use your own bolts.
- Torque to basebar specifications.



Bolting up through your own risers or basebar.

- Use the provided M6 Square Nuts as shown above.
- Use your own bolts.
- Torque to basebar specifications.