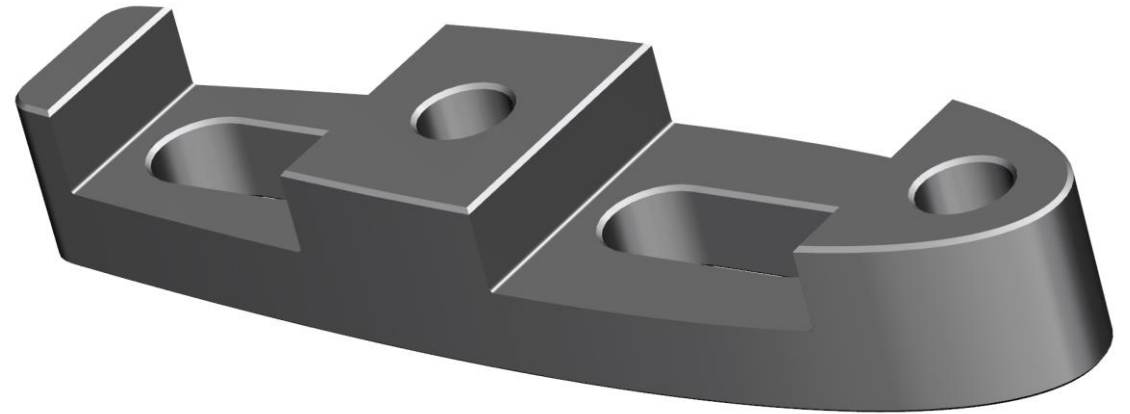
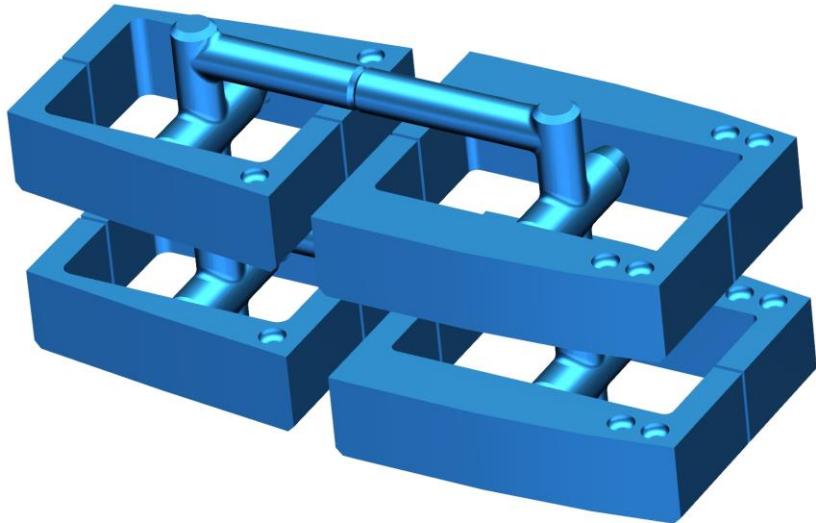




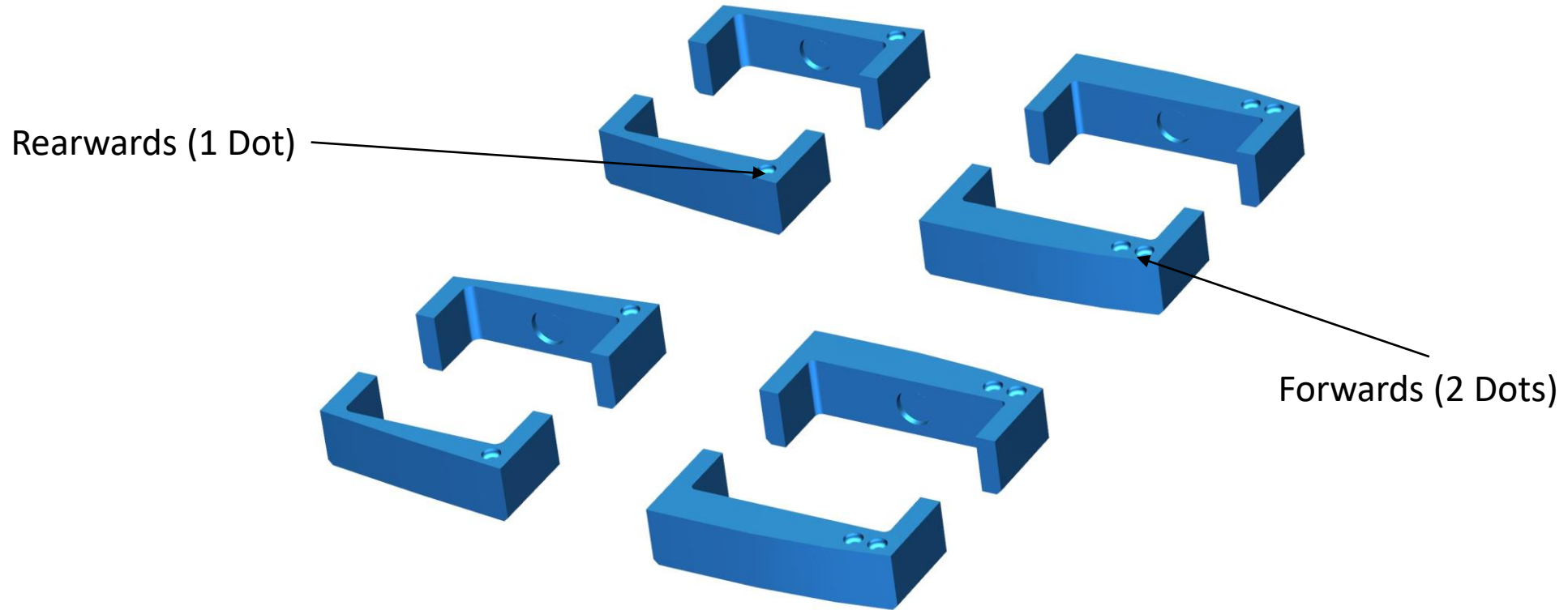
D2Z INTERFACE PLATE INSTALLATION

SLS
PRINTED
INSERTS
(SNAP
APART TO
PROVIDE 8
PIECES)



INTERFACE
PLATE

SLS INSERTS

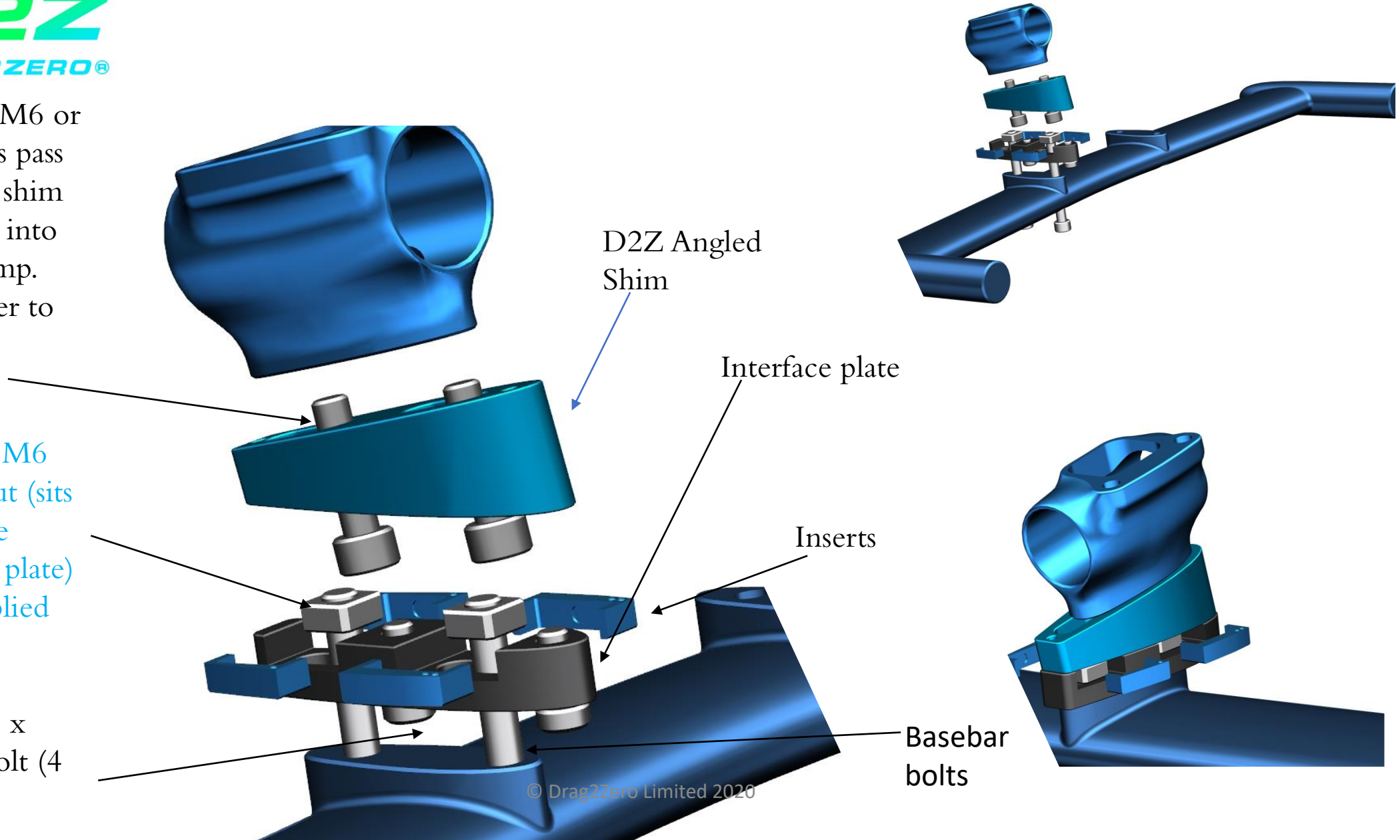




TORX M6 or M5 bolts pass through shim and bolt into pole clamp. Customer to supply

M5 OR M6 square nut (sits inside the interface plate) X 4 supplied

Torx M5 x 12mm bolt (4 supplied)



D2Z
DRAG2ZERO®

