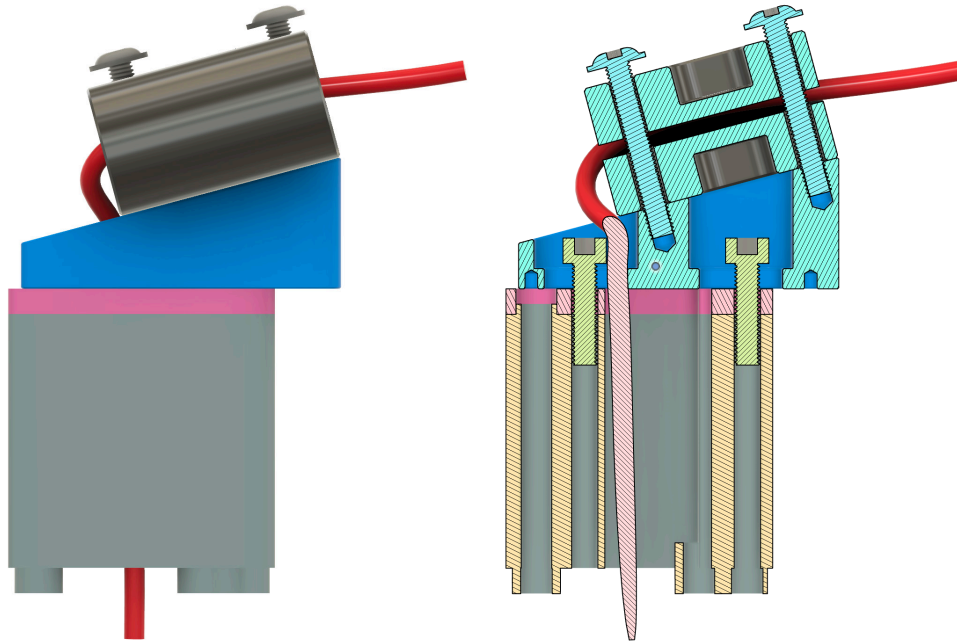


DRAG2ZERO



Trek 2022+

Gen1 Riser Mount



- Supplied with
 - 2 x Trek 2022+ riser mounts
 - 2 x Gen1 Angled shims
 - 2 x Gen1 Pole clamps
- Mount to your Trek 2022+ riser using bolts supplied with your bike.
- Allowing you to utilise the Trek risers to reduce system cost.

5 Nm

Trek riser spec torque

