

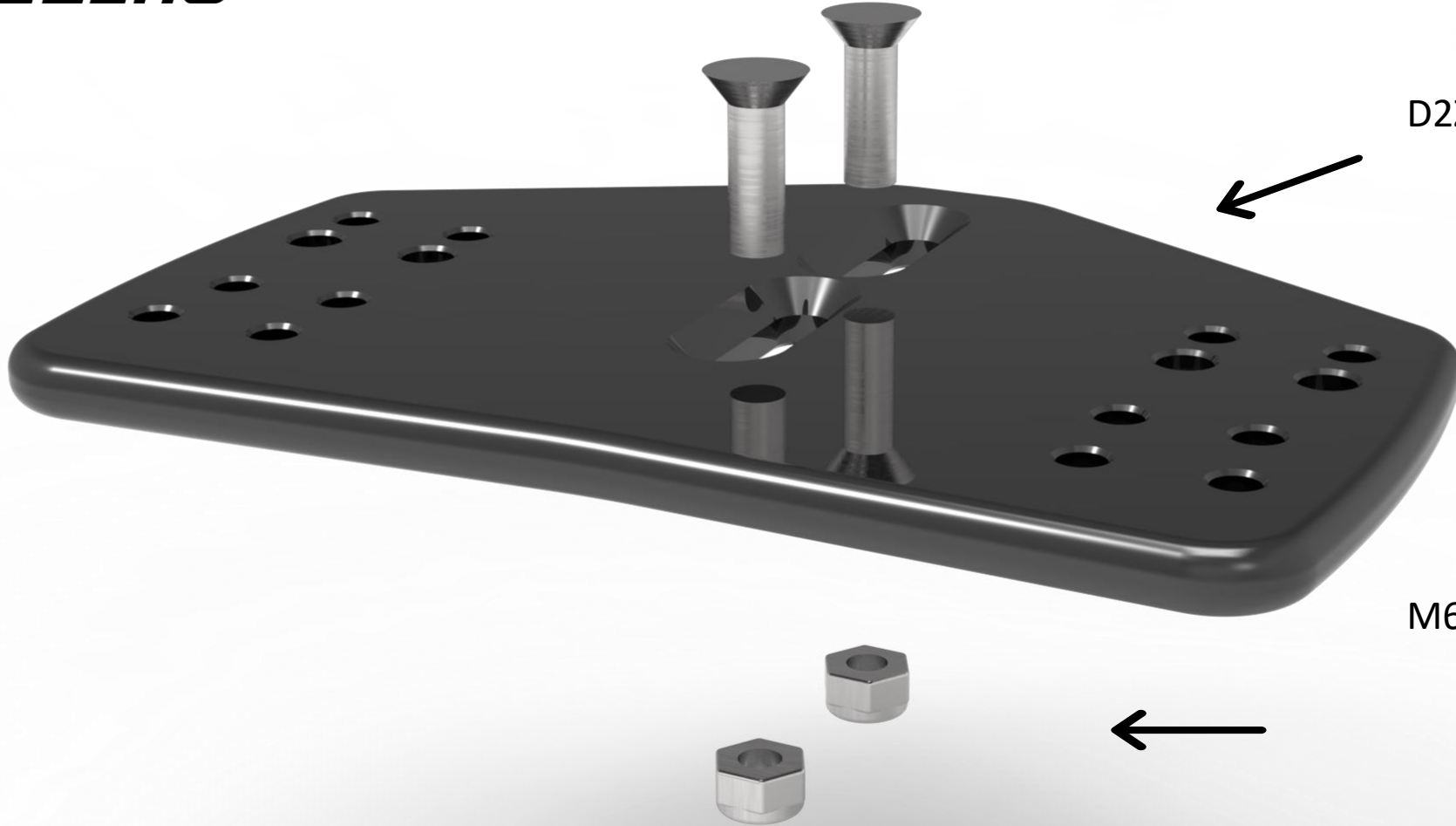


Plasma 6 Plate Kit

M6 20mm Countersunk bolt *Supplied

D2Z Mono Plate *Supplied

M6 Nyloc Nut *Supplied

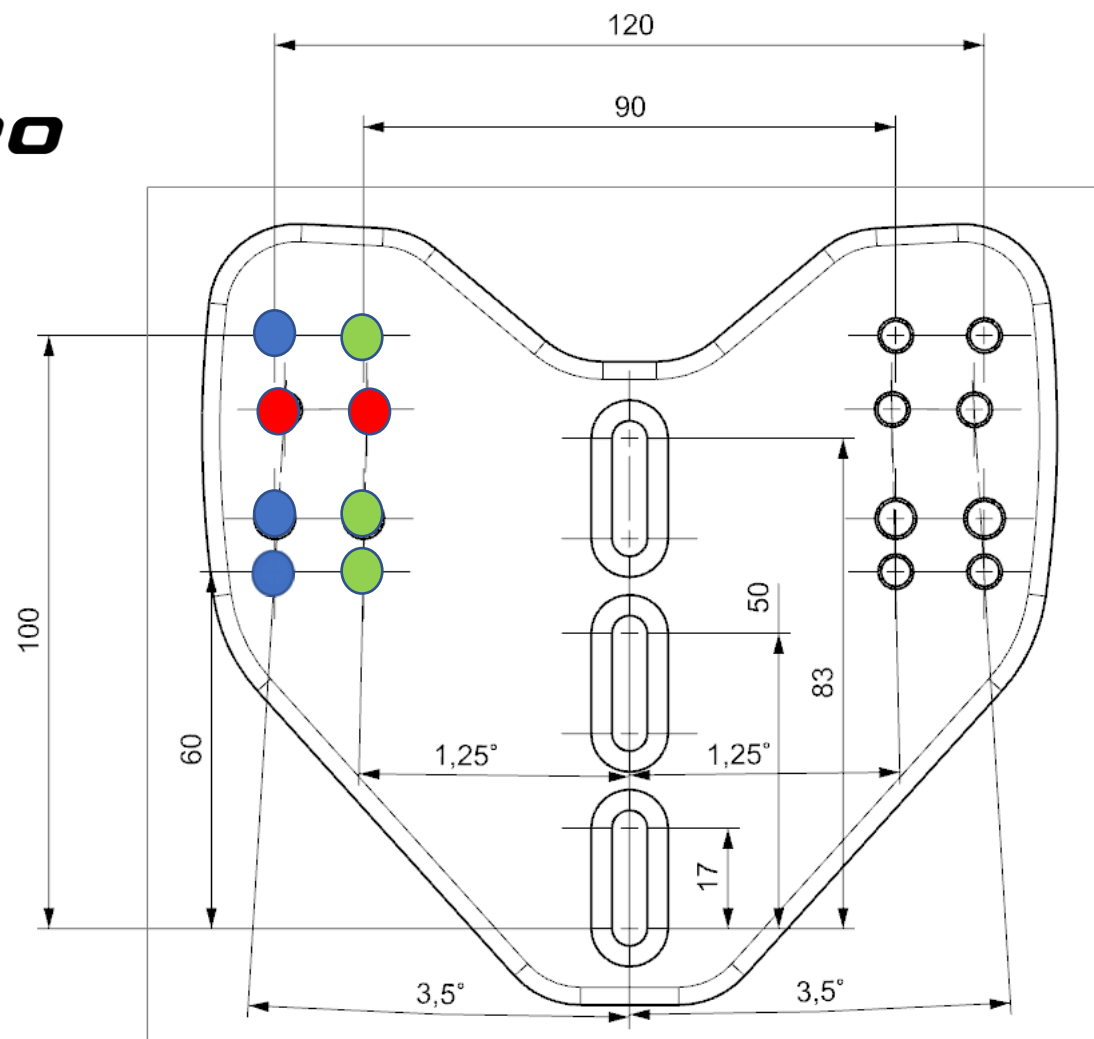
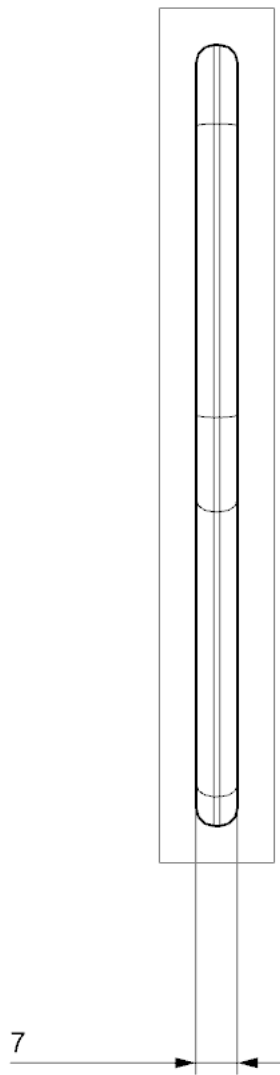


Remove Scott Plasma 6 'Blade' in order to fit plate directly to basebar

Mono Plate

for use on Cervelo P series,
Scott Plasma 6, Trek Speed
Concept pre 2022, Orbea
Ordu, Factor Slick, Canyon CF
SLX/CFR from 2022

- 2 x M6 countersunk bolts supplied to attach plate to riser/bar in central slots
- 4 x M6 x 10mm bolts supplied to attach angled shims to plates (longer bolts required if using spacers)
- D2Z pole clamps offset pole width by 15mm each. Poles can be set to widths of 60, 90, 120 or 150mm
- **Red** holes – for cables
- **Blue** holes – outer shim attachment. Straight or 7 deg.
- **Green** holes – inner shim attachment. Straight or 2.5 deg.



SCOTT PLASMA 6 WITH Drag2Zero USP SYSTEM



Ergo Armrests

Pole Clamps & Farings

10, 12.5, 15, 17.5, 20 degree shims

Mono Plate

Hi Rise Pole/straight grip



DRAG2ZERO

