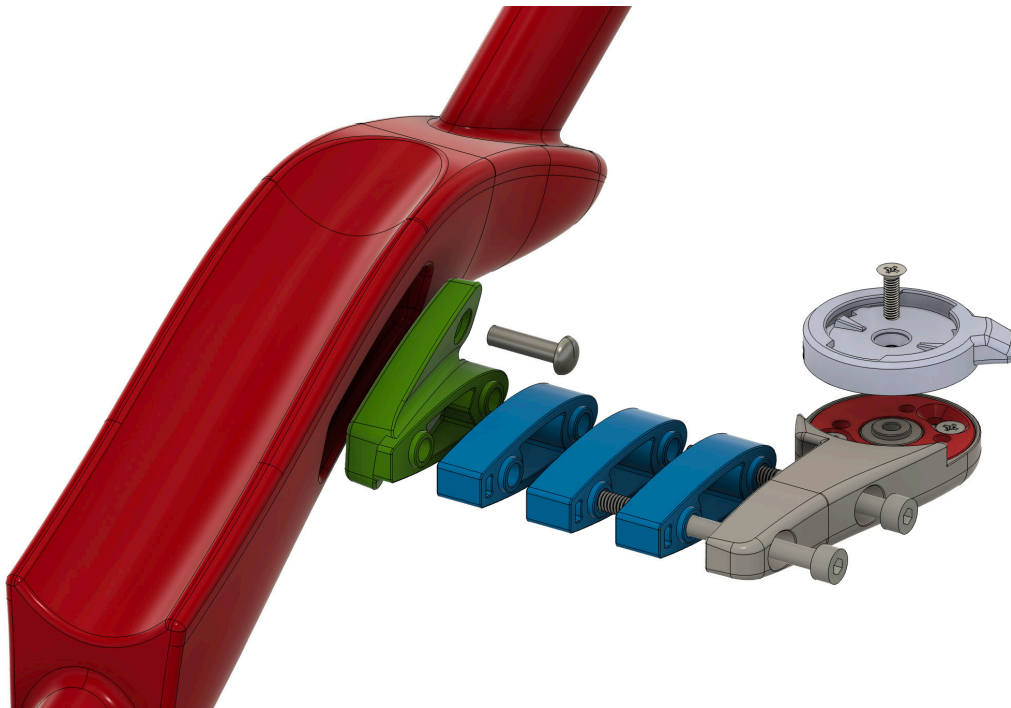
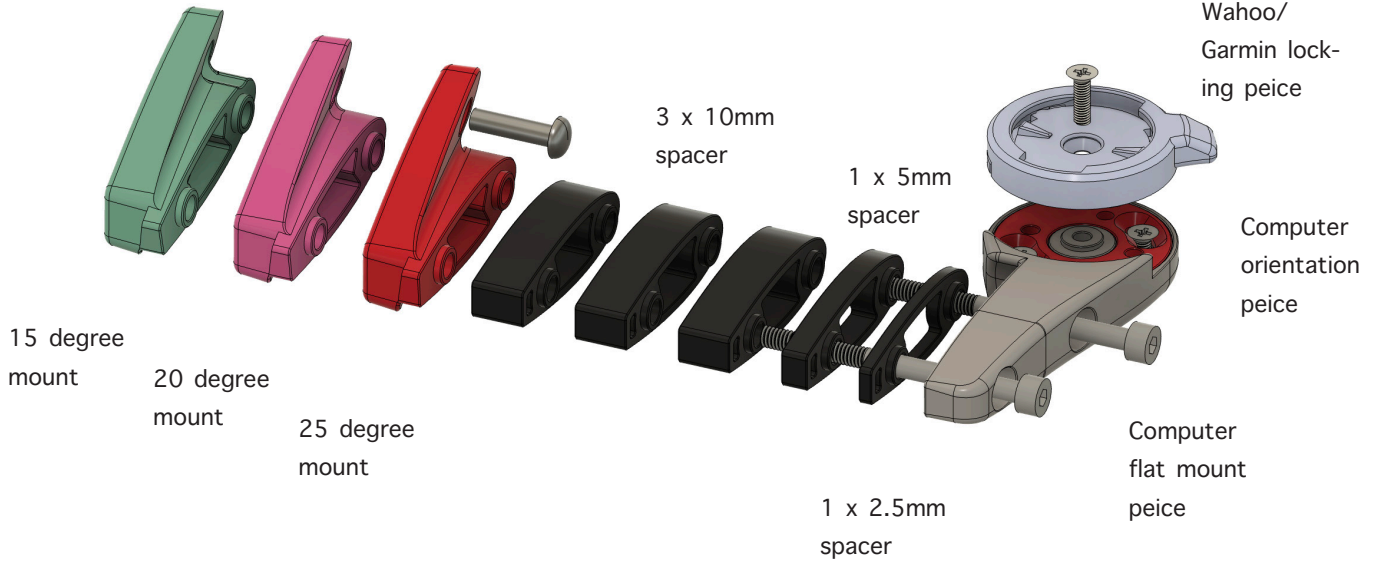


DRAG2ZERO



44 flat computer
mount



DRAG2ZERO



1. Replace the blacking panel with the desired angle mount onto the pole using the 3 x 16mm button head bolts already on the pole. Tighten to 2Nm.



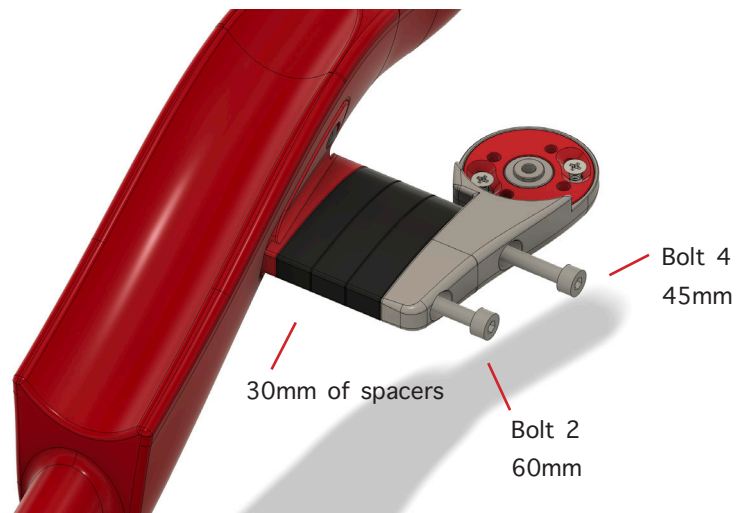
2. Find the required number of spacers until the computer mount is central between poles.



3. Bolt the flat computer mount piece onto the angle mount, sandwiching the spacers between.

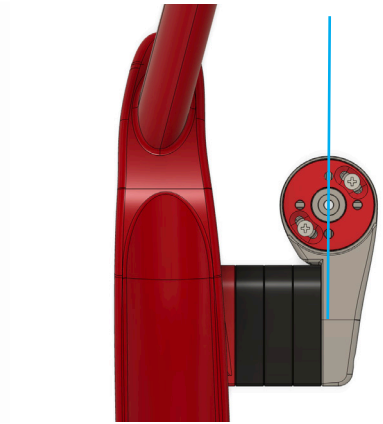
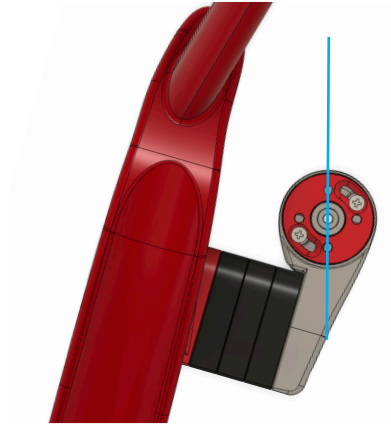
Tighten to 2Nm. Refer to the table below for bolt lengths.

Spacers	Bolt 1	Bolt 2
17.5mm	30mm	50mm
20mm	35mm	50mm
22.5mm	35mm	60mm
25mm	40mm	60mm
27.5mm	40mm	60mm
30mm	45mm	60mm
32.5mm	45mm	70mm
35mm	50mm	70mm
37.5mm	50mm	70mm

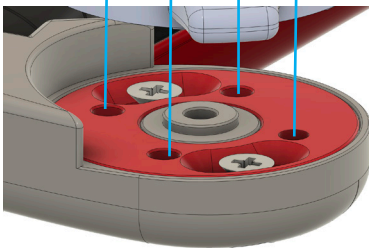
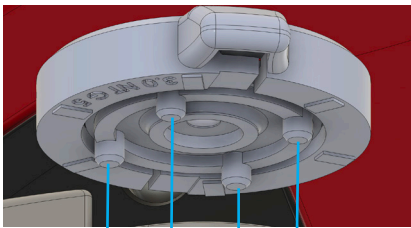




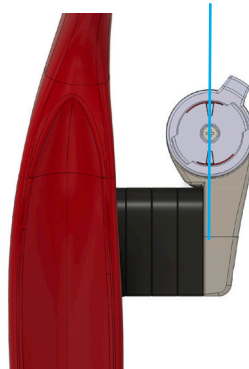
4. Loosen and rotate the computer toe adjustment piece until the holes point straight forward about the bike. Tighten to 2Nm



5. Mount either Garmin or Wahoo twist locking piece onto the mount, making sure locating pins are aligned as shown below. Tighten to 2Nm



Wahoo piece



Garmin piece

