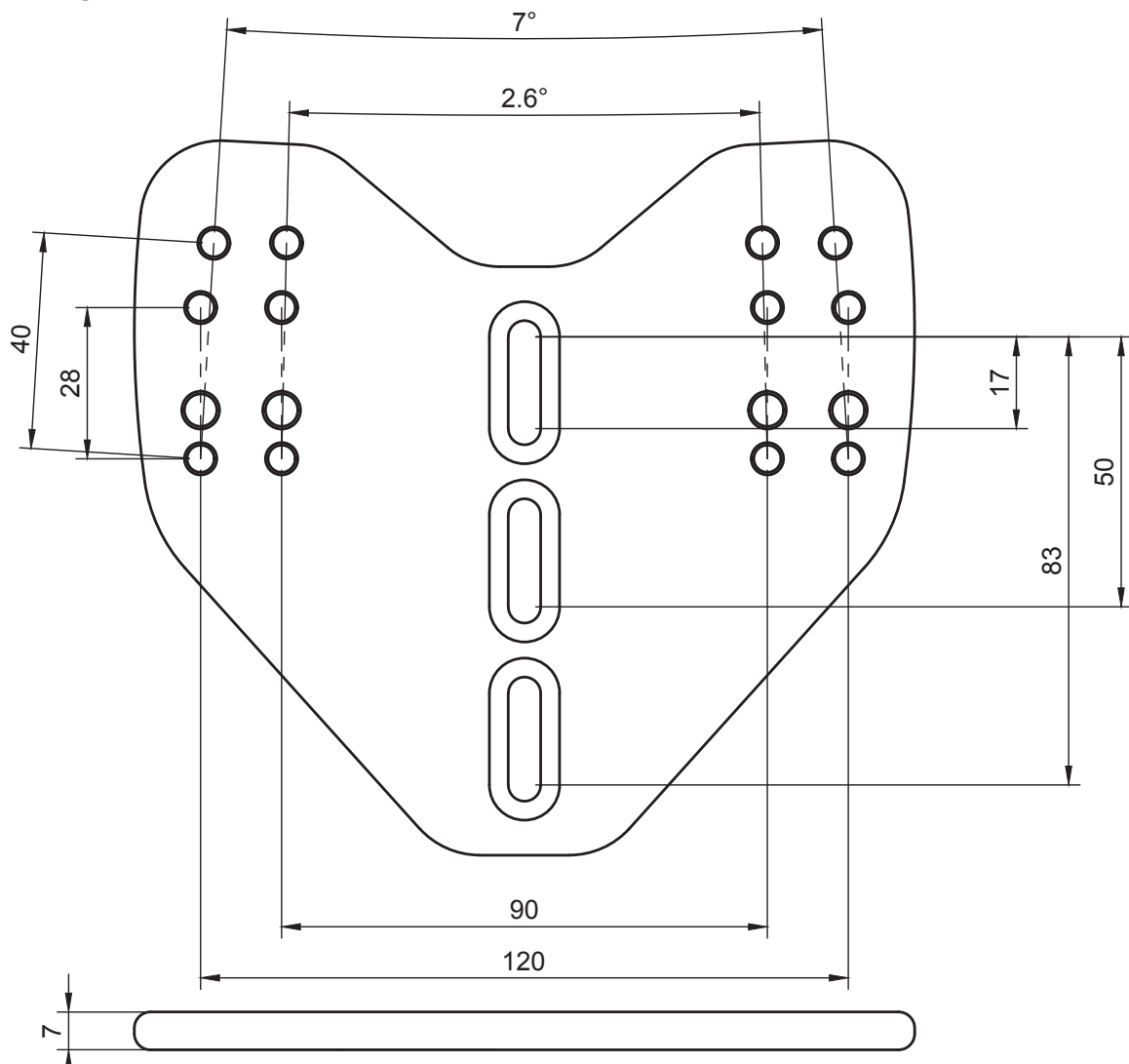


## Mono Riser mounting plate



For use on Cervelo P series, Scott Plasma 6, Trek Speed Concept pre 2022, Orbea Ordu, Factor Slick, Canyon CF SLX/CFR from 2022

- 2 x M6 countersunk bolts supplied to attach plate to riser/bar in central slots

- Gen1 angled shims and pole clamps offset pole by 15mm either side. Poles can be set to widths of 60, 90, 120 or 150mm. 1.3 ° or 3.5 ° of toe options.

- Gen2 angled shims and pole clamps mount directly above holes To provide pole widths of 90 or 120 with 6 ° of toe in pole clamp

**DRAG2ZERO**

