



**DRAG2ZERO**

D2Z Mono Plate \*Supplied

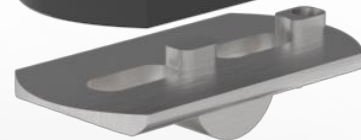
## TREK SPEED CONCEPT PRE 2022 MONO PLATE ADAPTER



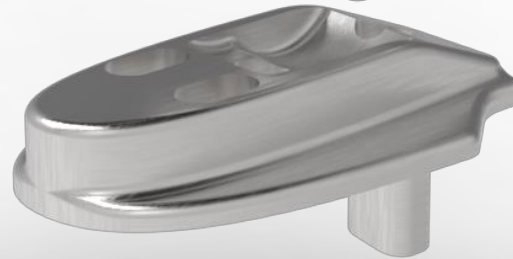
M6 25mm  
Countersunk bolts  
\*Supplied



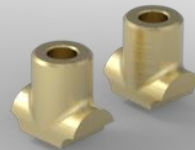
D2Z TSC Spacer  
\*Supplied



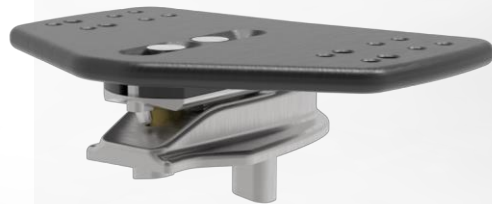
Trek Tilt Adjuster  
(Supplied with bike)



Trek Riser  
(Selection supplied  
with bike)

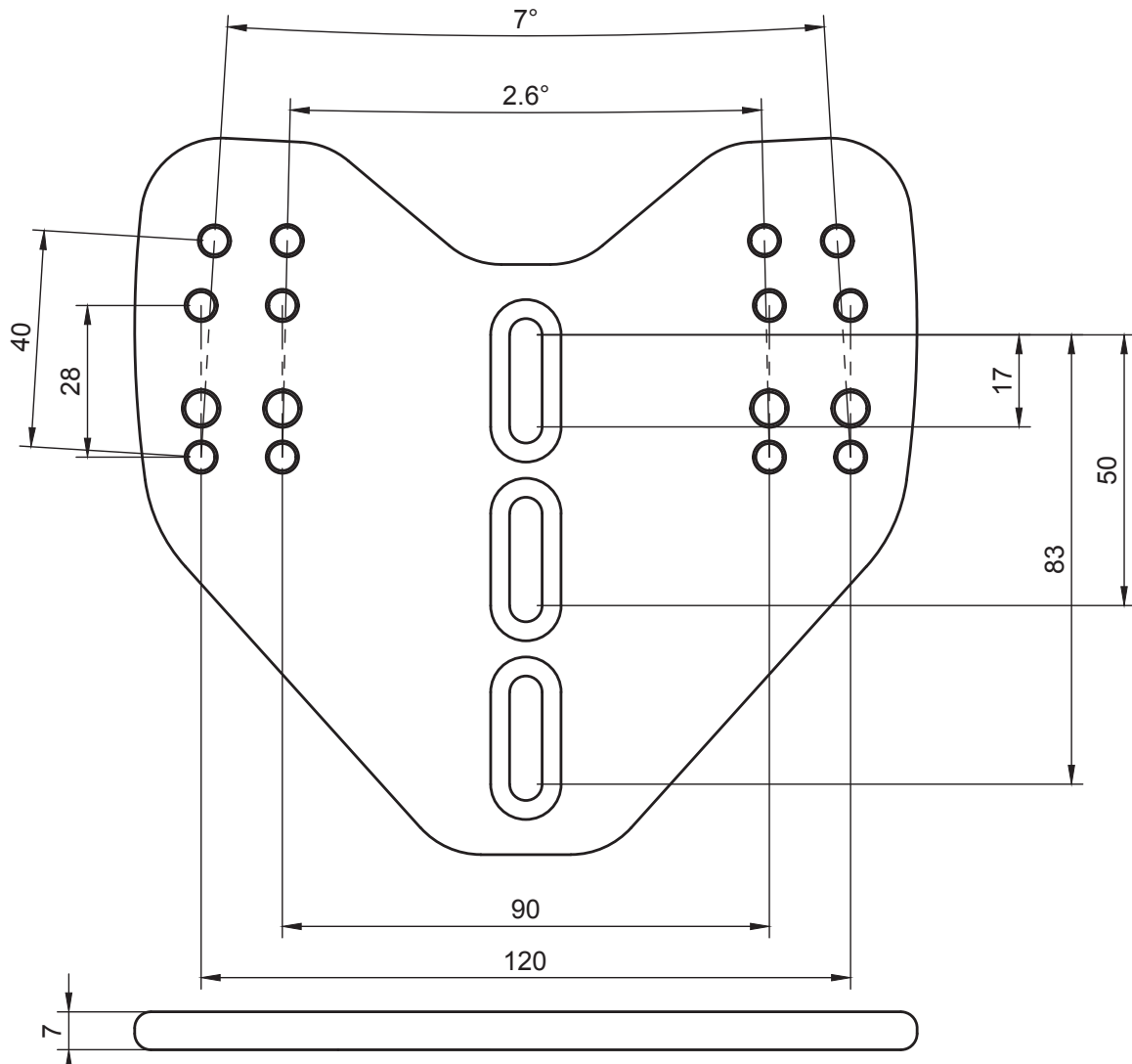


Trek M6 Anchor Bolts  
(Not supplied – older models  
use M5 bolts. These should  
be replaced with M6 bolts.)





## Mono Riser mounting plate



For use on Cervelo P series, Scott Plasma 6, Trek Speed Concept pre 2022, Orbea Ordu, Factor Slick, Canyon CF SLX/CFR from 2022

- 2 x M6 countersunk bolts supplied to attach plate to riser/bar in central slots

- Gen1 angled shims and pole clamps offset pole by 15mm either side. Poles can be set to widths of 60, 90, 120 or 150mm. 1.3 ° or 3.5 ° of toe options.

- Gen2 angled shims and pole clamps mount directly above holes To provide pole widths of 90 or 120 with 6 ° of toe in pole clamp

**TREK SPEED CONCEPT WITH D2Z USP SYSTEM**

Hi Rise Pole/straight grip

Ergo Arm rest -

Pole clamp with fairing

15 deg angled shim (10, 12.5, 15, 17.5 and 20 available)

Trek Mono adapter plate



**D2Z**  
DRAG2ZERO®

