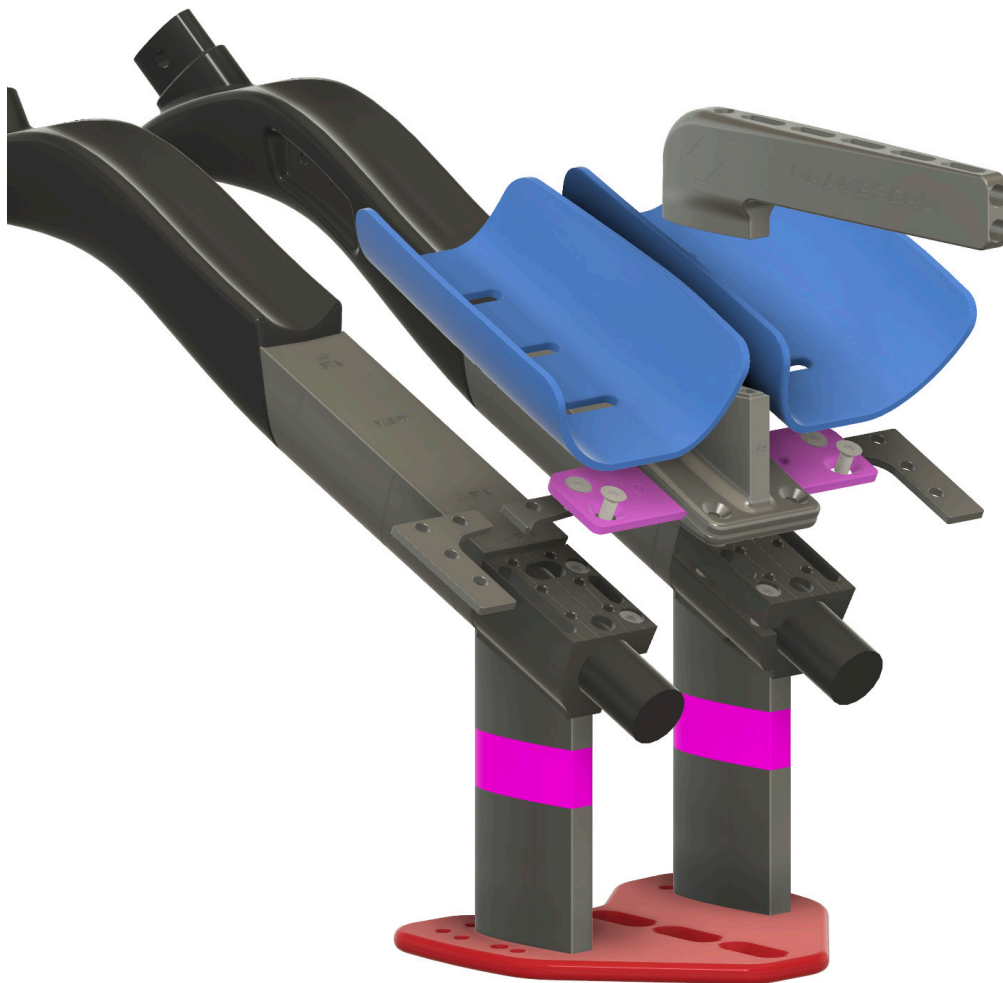
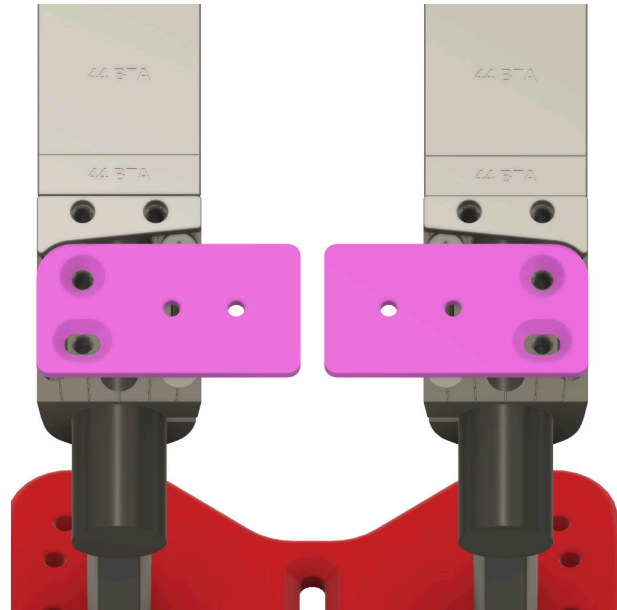
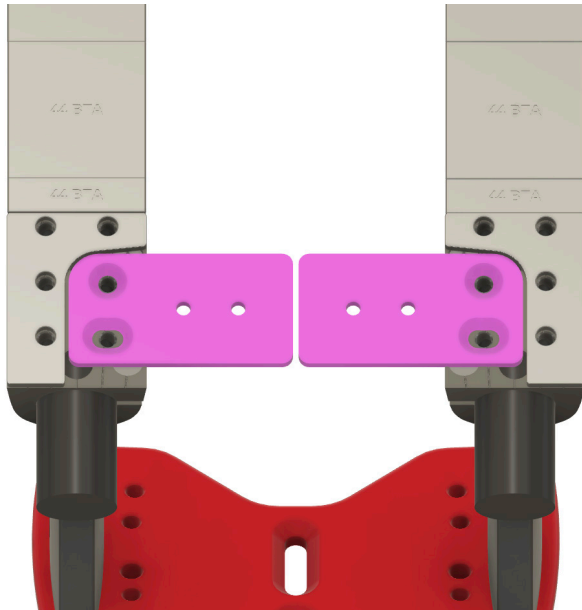


DRAG2ZERO

Gen2 BTA mount
for .44 System



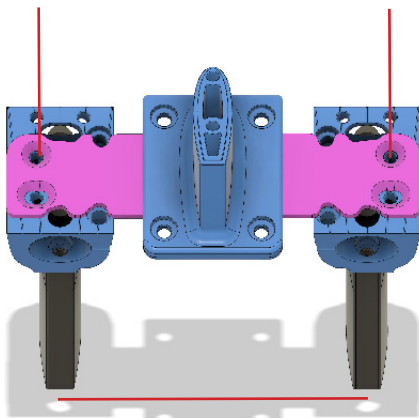


Using either the inner set of Pole clamp holes of the outer set.

Ensure your BTA plate are aligned and the correct positions as shown below.

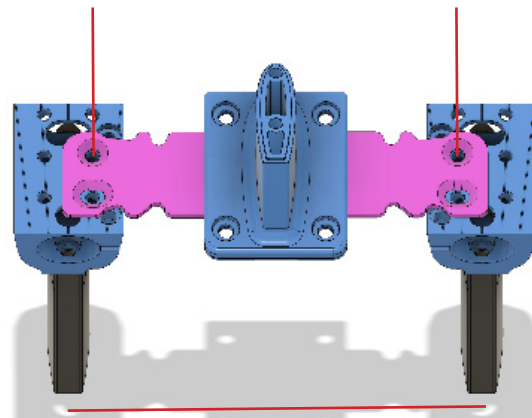
For podiums less than 110 please use outer holes.
For podiums between 110 and 140 please use inner holes.
For podiums greater than 140 you have the wide option and will use the inner holes also (same as 110-140 option).

Mount on the outer set of holes as shown below.



110mm or less

Mount on the inner set of holes as shown below.



110 mm to 140mm



Step 3

Remove the 2 back bolts on the BTA base peice.

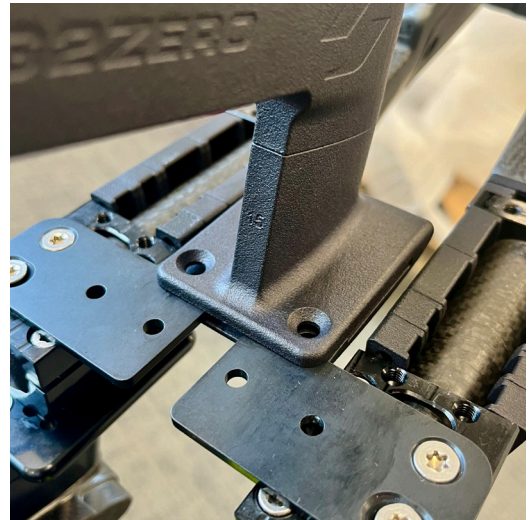
Using a flat head screw driver and small allen key. Prise open the BTA enough to slot on to the plates.



Step 4

Slide the BTA onto the mounting plates. Push back until you head a click/snap on feel.

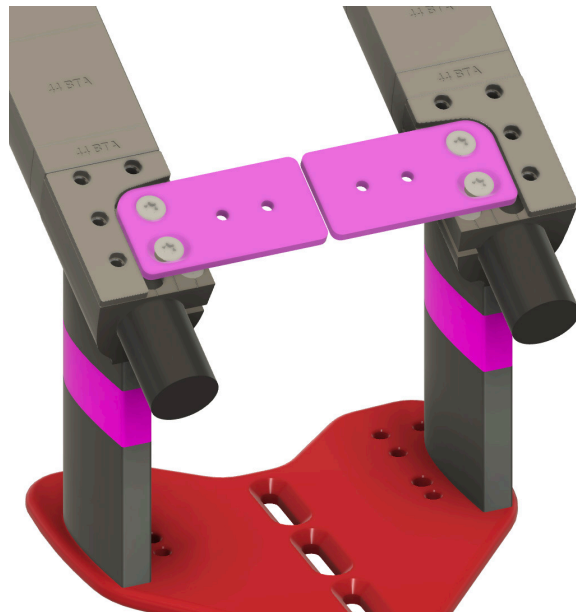
One positions tighten using the previously removed bolts to 2Nm



DRAG2ZERO

When mounting in the inner set of pole clamp holes

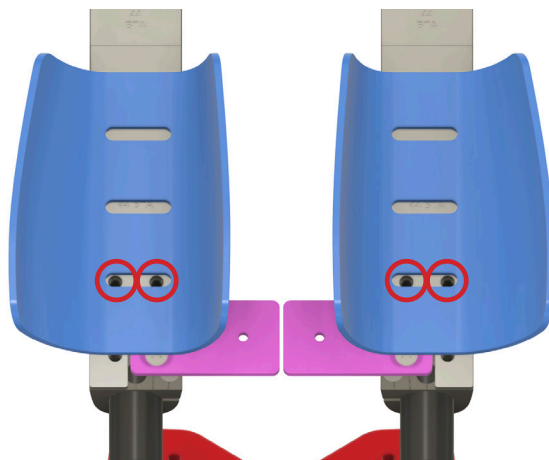
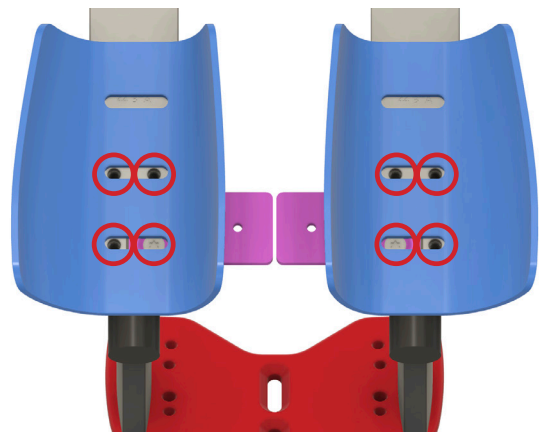
When mounting the BTA plates on the inner set of pole clamps holes, use the large L shaped pole clamp top spacer, see below.



Ensure that at least 2 Armrest bolts are used in the positions marked with a circle.

BTA plate mounting bolts can be replaced with an armrest bolts if required.

Torq to 2Nm



DRAG2ZERO

When mounting in the inner set of pole clamp holes

When mounting the BTA plates on the outer set of pole clamp holes, use the small pole clamp top spacer, see below.

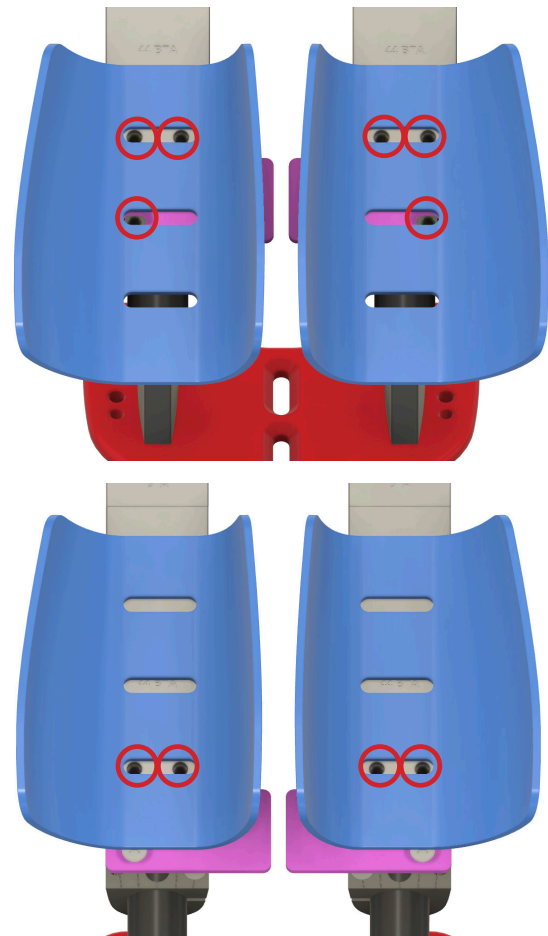


Ensure that at least 2 Armrest bolts are used in the positions marked with a circle.

BTA plate mounting bolts can be replaced with an armrest bolts if required.

Use M5 10mm with 1 x supplied washer.

Torq to 2Nm





For Standard

Step 1

Mount BTA angled shim and BTA risers to BTA clamp assembly using corresponding M4 bolts below. Tighten to 2Nm

Spacers	Bolts
0mm	20mm
10mm	30mm
20mm	40mm
30	50mm



Step 2

Mount BTA bottle cage rail using M4 15mm bolts. Tighten to 2Nm



Step 3

Mount your bottle cage to the BTA bottle cage rail. Tighten to 2Nm



Step 4

Choose bottle position using the sliding barrel nuts. Tighten to 2Nm



DRAG2ZERO



For Dual BTA Add on

Step 1

Mount the Dual BTA onto the central BTA mount using the bolts below. Tighten to 2Nm

Spacers	Bolts
0mm	30mm
10mm	40mm
20mm	50mm
30	60mm



Step 2

Mount your 2 bottle cages to the DUAL BTA rail. Tighten to 2Nm





For Dual BTA

Step 1

Mount the Dual BTA onto the central BTA mount using the bolts below. Tighten to 2Nm

Spacers	Bolts
0mm	30mm



Step 2

Mount your 2 bottle cages to the DUAL BTA rail. Tighten to 2Nm

