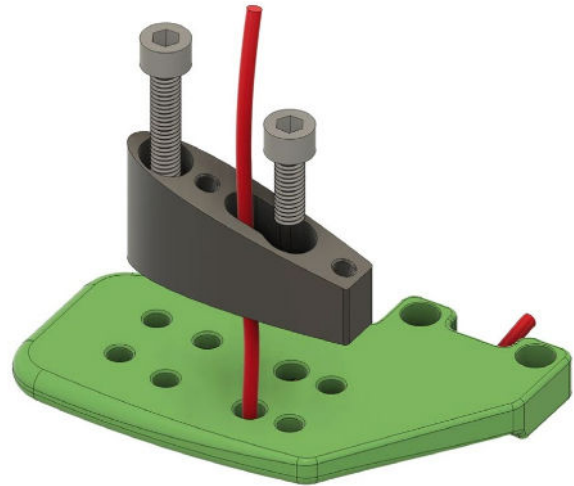
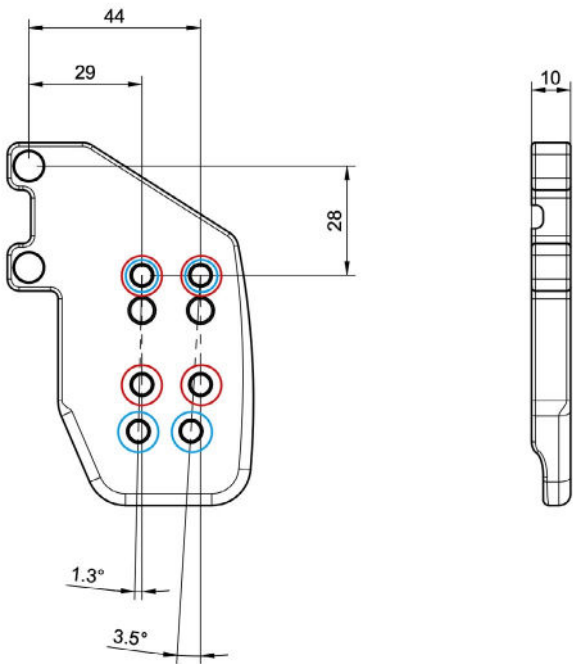
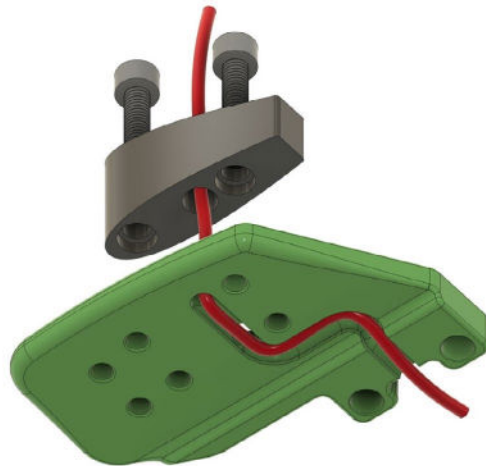


DRAG2ZERO

Canyon 2019-2020



- Plates attach to Canyon 2019-2020 risers using bolts supplied with your bike
- Gen1 angled shims and pole clamps offset pole by 15mm either side. **Mount in the holes marked in blue.** 1.3 ° or 3.5 ° of toe options each side.
- Gen2 angled shims and pole clamps mount pole directly above shims and provide up to 6° of toe in pole clamp. **Mount in the holes marked in red.**



DRAG2ZERO

